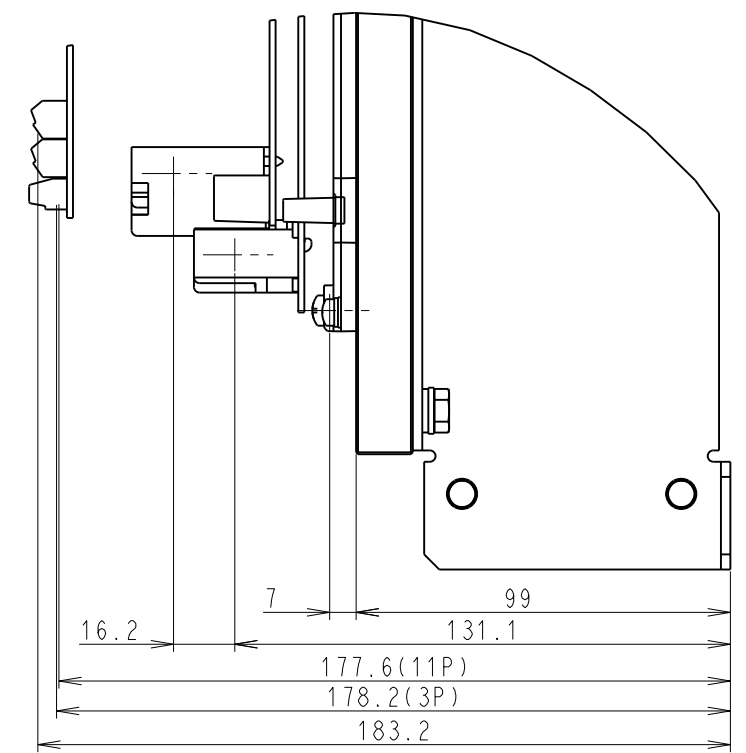
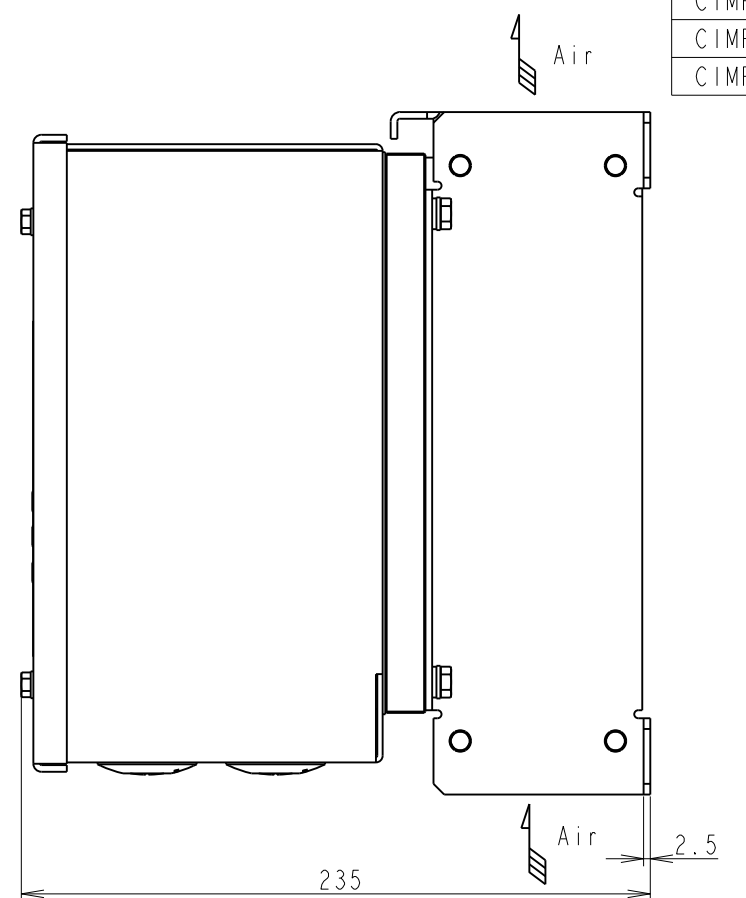
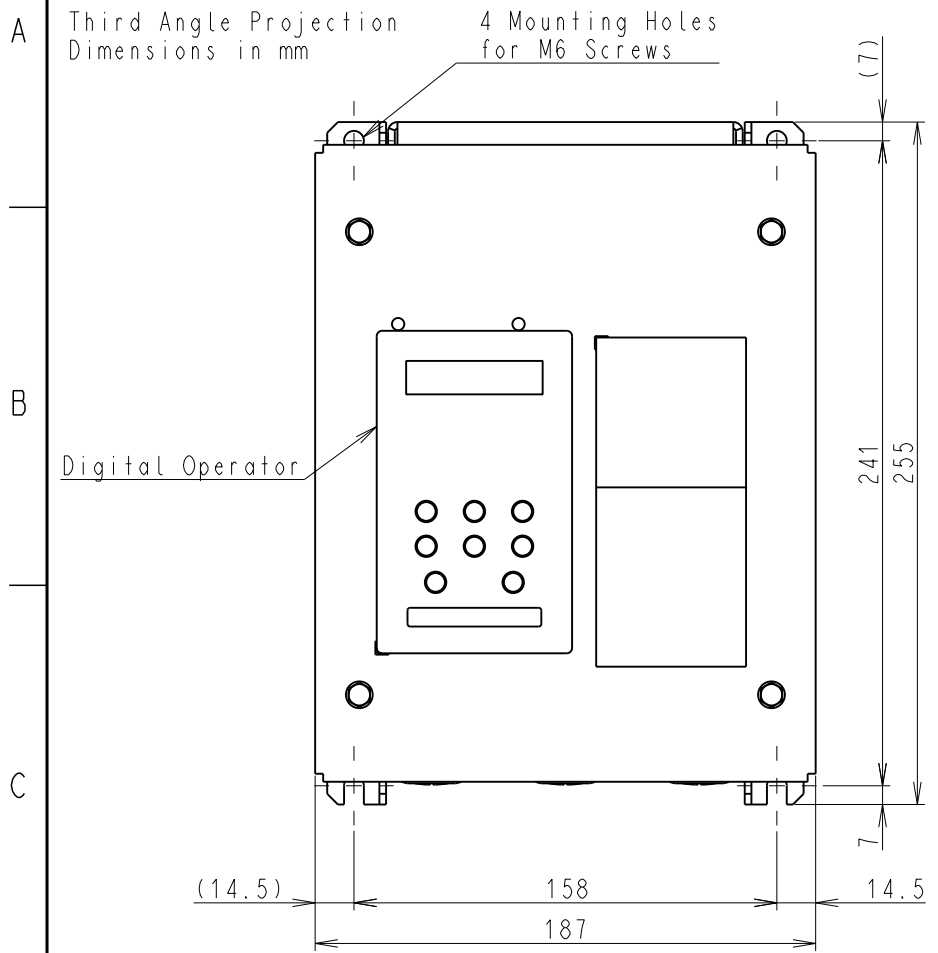
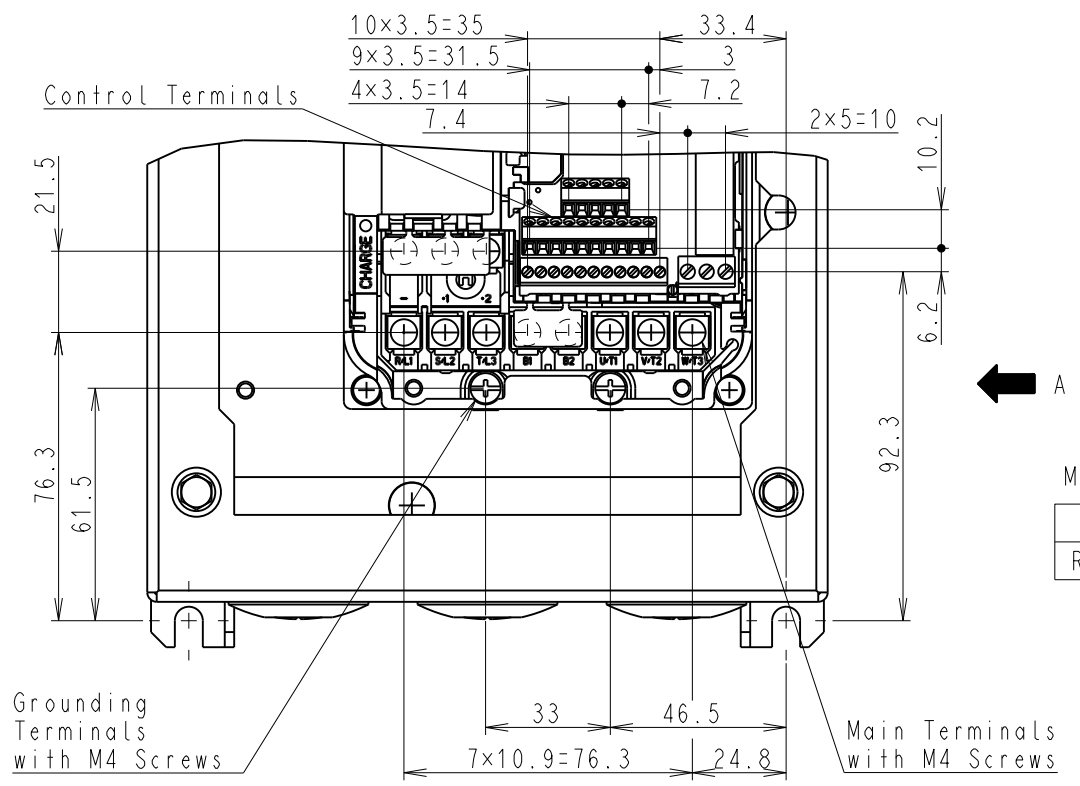
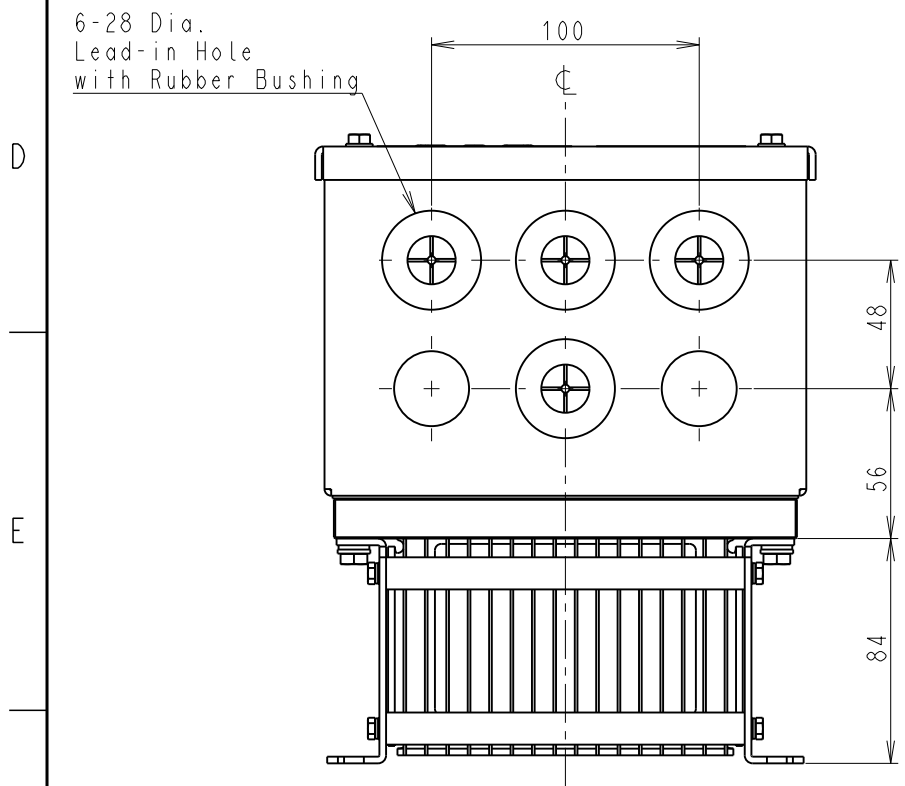


DWG. NO. EZZ901710-1/1

Model No.	Max Appli. Motor (kW)		Terminal Symbol			Cooling Fan	Mass (kg)
	Normal Duty	Heavy Duty	INPUT		OUTPUT(MOTOR)		
CIMR-V#4A0005G	2.2	1.5	R/L1 S/L2 T/L3	U/T1	V/T2	W/T3	7.7
CIMR-V#4A0007G	3.0	2.2					7.9
CIMR-V#4A0009G	3.7	3.0					7.9



View A



Main Terminal Location

-	+1	+2				
R/L1	S/L2	T/L3	B1	B2	U/T1	V/T2 W/T3

Detail (without Front cover) SCALE 1:2

REVISIONS	SCALE 1:2√2	YASKAWA	DRAW.	Jul.17,2008	K. Isomoto	TITLE	V1000 NEMA4X/IP66 TYPE	DWG. NO.	EZZ901710	1	REV.
			CHECK	Jul.17,2008	K. Fukuda						
			APPR.	Jul.17,2008	H. Okayama						
						DIMENSION DIAGRAM			1	◇	